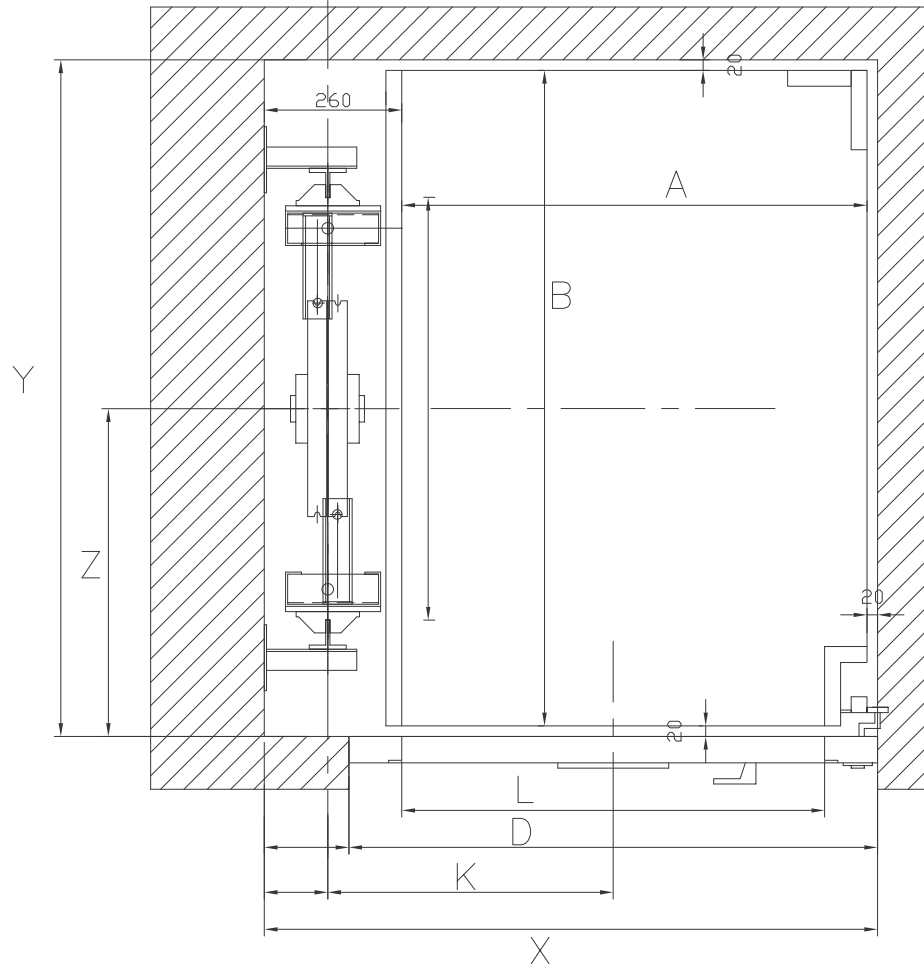
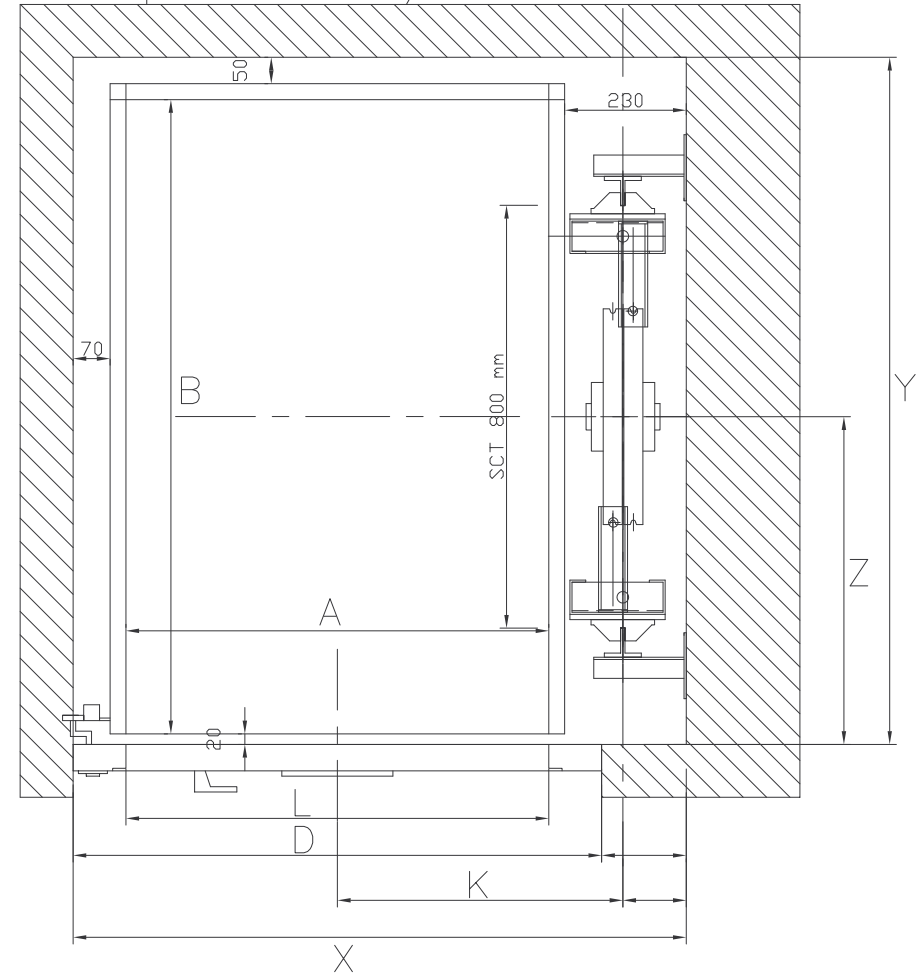


Senza pareti di cabina/ Without cabin walls



Con pareti di cabina/ With cabin walls



$A = X - 280$
 $B = Y - 40$
 $\text{max } L = X - 360$

	Min	Max
$X = A + 360$		
$Y = B + 100$	750	
$A = X - 360$	800	1300
$B = Y - 100$	1000	2100

$D = L + 200$
 $K = L/2 + 140$
 $Z = B/2 + 20$

For different solutions or clarification please contact



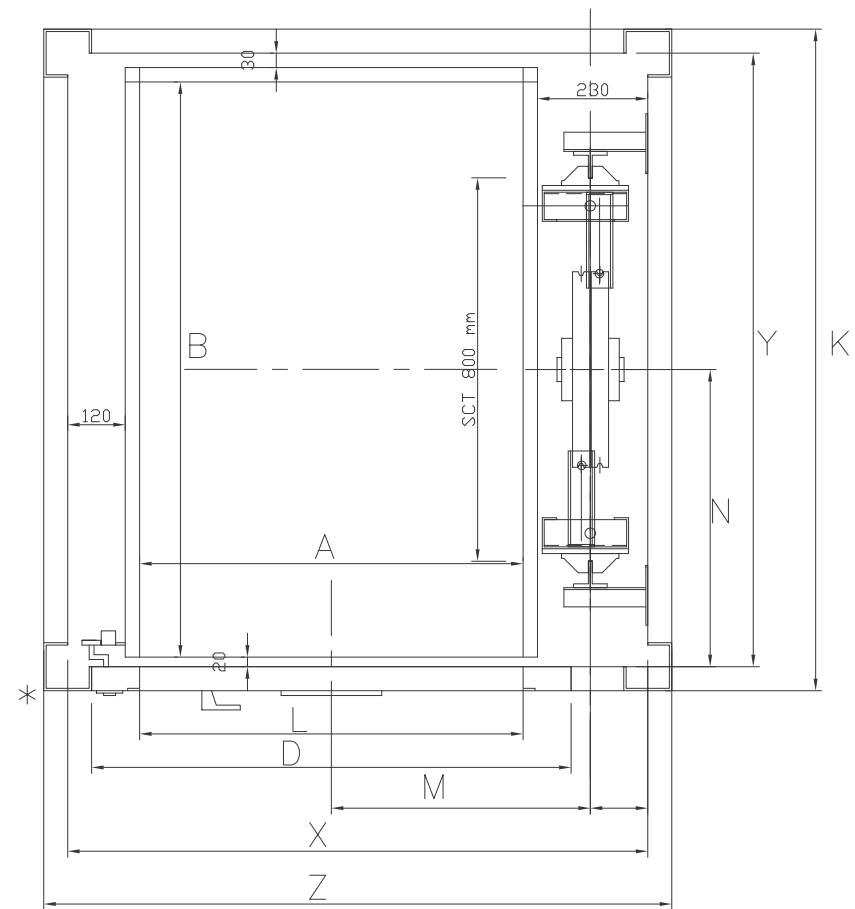
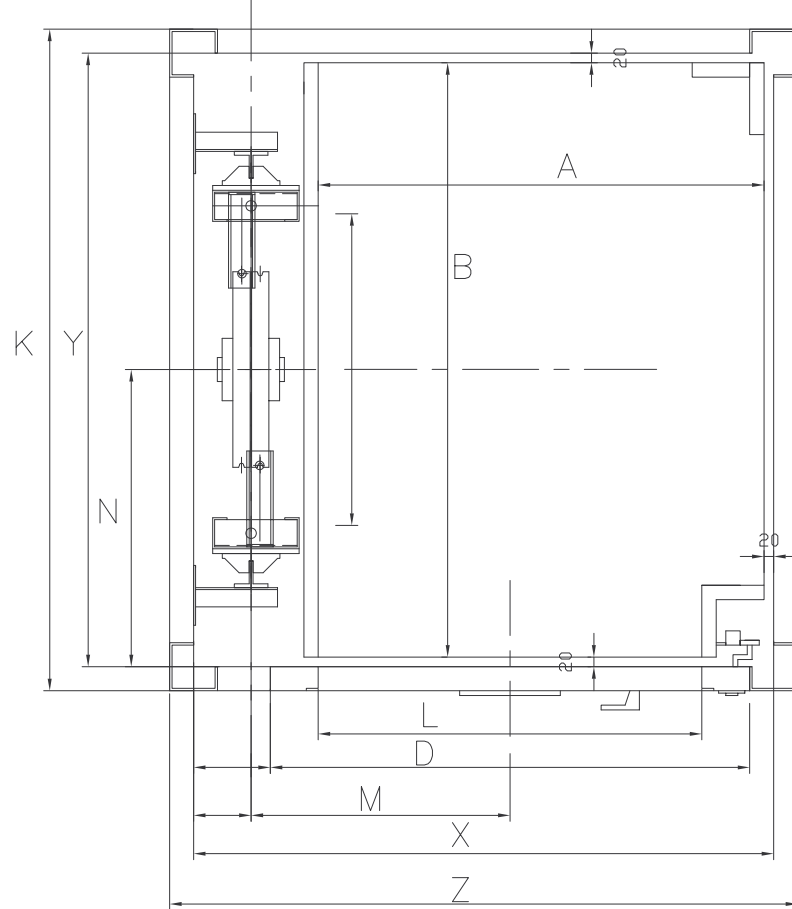
META500

MODELLO PL / PL MODEL

CON CASTELLO / ENCLOSURE MODEL

Senza pareti di cabina/ Without cabin walls

Con pareti di cabina/ With cabin walls



$A = X - 280$

$B = Y - 40$

$\max L = X - 410$

*



Available for internal and external enclosure



Available only for internal enclosure

50

For different solutions or clarification please contact

	Min	Max
$X = A + 410$		
$Y = B + 100$	750	
$A = X - 410$	500	1100
$B = Y - 100$	650	1400

$Z = A + 510$

$K = B + 180$

$D = L + 200$

$M = L / 2 + 140$

$N = B / 2 + 20$

